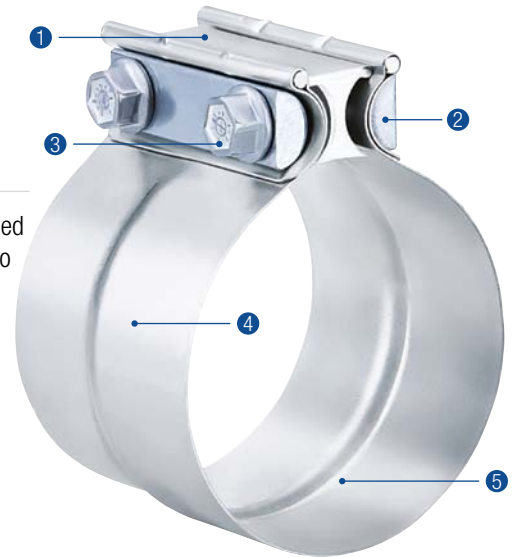




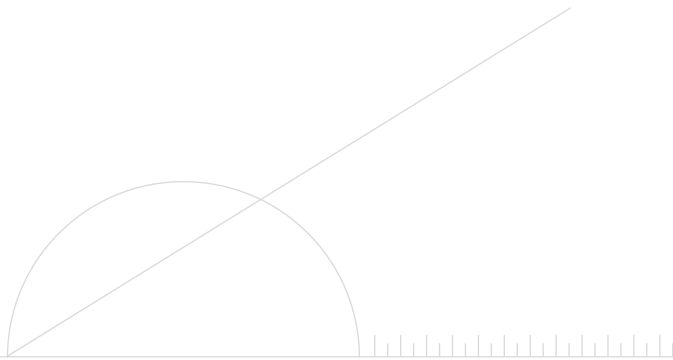
Torca TorcTite

The TorcTite offers a simple, effective way to connect exhaust system components. The pre-formed wideband exhaust clamp with step is designed for fast, easy and accurate installation. There is no need to separate pipes or exhaust members before clamping.

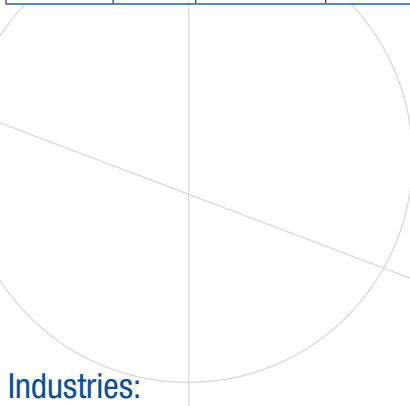
- Specific OEM & Service designs
- Compatible with pipes, flex, mufflers
- Durable installation without damage to pipe ends
- Diameter Range: 2" – 6" (50.8mm – 152.4mm)



- 1 Exclusive reaction block
- 2 Pre-threaded nut bar provides tightening with only one assembly tool
- 3 High-strength plated fasteners
- 4 Materials: Aluminized steel and bright finish 304 stainless steel
- 5 Pre-formed band with step provides fast, accurate installation



TORCA TORCTITE – PRODUCT OFFERINGS AND PART NUMBERS									
Diameter Size (in)	Pack Qty.	Aluminized Steel Pre-Form Clamps Box (W1)		304 Stainless Steel Pre-Form Clamps (W4)		Aluminized Steel Pre-Form Clamps (W1)		304 Stainless Steel Pre-Form Clamps (W4)	
		Brand PN	Global NORMA PN	Brand PN	Global NORMA PN	Brand PN	Global NORMA PN	Brand PN	Global NORMA PN
2	10	B20AB	03680303051	B20SB	03680306051	L20AB	03680108051	L20SB	03680112051
2.25	10	B22AB	03680300056	B22SB	03680302057	L22AB	03680105056	L22SB	03680105057
2.5	10	B25AB	03680303064	B25SB	03680301064	L25AB	03680116064	L25SB	03680111064
2.75	10	B27AB	03680302069	B27SB	03680300070	L27AB	03680105069	L27SB	03680103070
3	10	B30AB	03680307076	B30SB	03680306076	L30AB	03680121076	L30SB	03680110076
3.5	10	B35AB	03680306089	B35SB	03680301089	L35AB	03680115089	L35SB	03680108089
4	10	B40AB	03680305102	B40SB	03680301102	L40AB	03680111102	L40SB	03680124102
4.5	10	B45AB	03680303114	B45SB	03680306114	L45AB	03680113114	L45SB	03680110114
5	10	B50AB	03680305127	B50SB	03680302127	L50AB	03680131127	L50SB	03680117127
6	10	B60AB	03680302152	B60SB	03680306152	L60AB	03680114152	L60SB	03680120152



Industries:





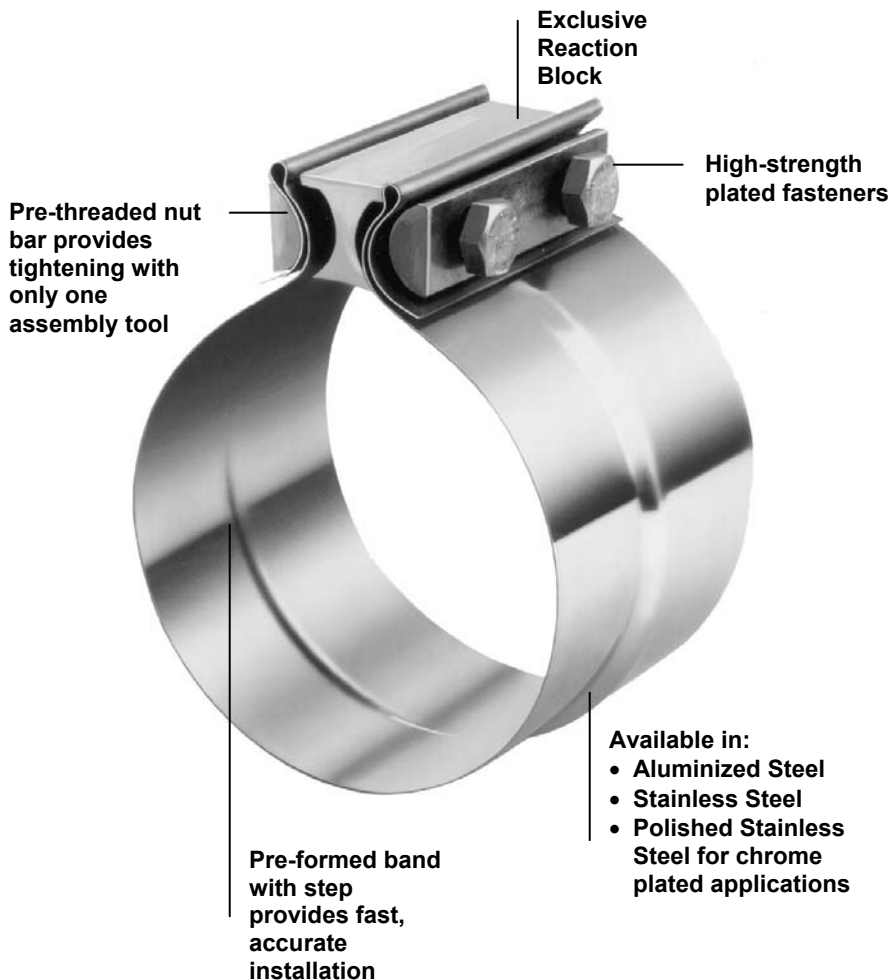
TorcTite Pre-Formed Lap Joint Exhaust Clamp

OEM Applications

The simple, effective way to connect exhaust system components. Replaces U-bolts and clamps.
Exclusive design makes for fast, easy and accurate installation.



Causes no damaging distortion to pipe or flex. Band is designed for maximum stretch providing tight take-up on pipe/pipe or pipe/flex applications.



- Available in standard industry sizes from 2" through 6" and metric equivalents.
- The exclusively developed fastening system, including a force bar, bolts, and the patented reaction block, creates the power to stretch the clamp band tightly around exhaust members.
- The reaction block provides a full 360° equal distribution of stretching forces, prohibiting pipe distortion while completing a seal around the joined exhaust components.

Unitized assembly. NO LOOSE hardware. Slides into place, installs easily and reliably.



The reaction block transfers bolt torque into clamp strength and an assured seal.

