



- 1 **Form-fit, adjustable band**
- Reinforced band ends**
- 2 – strengthen the band; prevent retaining sections from tearing or becoming loose during exposure to extremely high mechanical loads
- Can be supplied with rubber profile as an option**
- 3 – improved form closure between clip and clamping fixture  
– dumping

## Pipe retaining clips in accordance with DIN 3016

NORMAFIX® RS/RSGU pipe retaining clips are suitable for all kinds of fastening and retaining applications: pipes, cables, cable harnesses, cable protection pipes, hoses and other lines.



### Advantages at a glance

- Easy installation and secure fastening
- Reinforced band ends for extremely high mechanical loads
- Rubber profile protects against vibrations and creeping water, is sound-absorbent and protects against contact corrosion
- No single parts for the customer

### Applications

- Machine building
- White goods
- Chemical industry
- Irrigation systems
- Ship manufacturing
- Food and beverage industry
- Railway industry
- Agricultural machines
- Building machines
- Engine manufacturing
- Pump and filter
- Mining industry

### Materials

W1	W2	W3	W4	W5
x		x*	x*	x

\*W3 and W4 on request

### Rubber profile

MATERIAL PROPERTIES OF EPDM RUBBER PROFILE		
Material properties		EPDM rubber profile
Tensile strength [N/mm <sup>2</sup> ]		Min. 8
Elongation at break [%]		350
Shore hardness A		70 ± 5
Temperature [°C]		-40 to +120
Resistance to:	Weather/Ozone	Very good
	Aging/UV	Very good
	Fuel storage	Not suitable
	Storage in oils and greases	Not suitable
	Alcohols	Good
	Acids	Good
	Alkalis	Good

Silicone rubber profile also available on request.

### Bolts

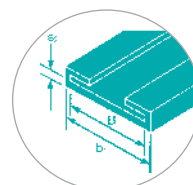
The scope of delivery does not include bolts or nuts.

We recommend:

For NORMAFIX® RSGU with 12mm band width: M5 bolt

For NORMAFIX® RSGU with 15mm band width: M6 bolt

For NORMAFIX® RSGU with 20mm band width: M8 bolt



B = band width of clip  
b<sub>1</sub> = width in mm  
s<sub>2</sub> = material thickness in mm

Technical data & Ordering information

NORMAFIX® RSGU 1										
Band width	Designation	Clamping ranges		h1² ~	b1	s2	EPDM	Silicone	W1	W5
		in mm	in inches						Product No.	Product No.
12	RSGU1. 6/12	6	1/4	8.0+	15.0	1.2	x	x	0941 8912 006	0941 7712 006
	RSGU1. 8/12	8	5/16	8.0+	15.0	1.2	x	x	0941 8912 008	0941 7712 008
	RSGU1. 10/12	10	3/8	8.0+	15.0	1.2	x	x	0941 8912 010	0941 7712 010
	RSGU1. 12/12	12	1/2	8.0+	15.0	1.2	x	x	0941 8912 012	0941 7712 012
	RSGU1. 13/12	13	1/2	8.0+	15.0	1.2	x	x	0941 8912 013	0941 7712 013
	RSGU1. 14/12	14	9/16	8.0+	15.0	1.2	x	x	0941 8912 014	0941 7712 014
	RSGU1. 15/12	15	5/8	8.0+	15.0	1.2	x	x	0941 8912 015	0941 7712 015
	RSGU1. 16/12	16	5/8	8.0+	15.0	1.2	x	x	0941 8912 016	0941 7712 016
	RSGU1. 18/12	18	3/4	8.0+	15.0	1.2	x	x	0941 8912 018	0941 7712 018
	RSGU1. 19/12	19	3/4	8.0+	15.0	1.2	x	x	0941 8912 019	0941 7712 019
	RSGU1. 20/12	20	13/16	8.0+	15.0	1.2	x	x	0941 8912 020	0941 7712 020
	RSGU1. 21/12	21	13/16	8.0+	15.0	1.2	x	x	0941 8912 021	0941 7712 021
RSGU1. 22/12	22	7/8	8.0+	15.0	1.2	x	x	0941 8912 022	0941 7712 022	
15	RSGU1. 6/15	6	1/4	11.2+	18.5	1.5	x	x	0941 8915 006	0941 7715 006
	RSGU1. 8/15	8	5/16	11.2+	18.5	1.5	x	x	0941 8915 008	0941 7715 008
	RSGU1. 10/15	10	3/8	11.2+	18.5	1.5	x	x	0941 8915 010	0941 7715 010
	RSGU1. 12/15	12	1/2	11.2+	18.5	1.5	x	x	0941 8915 012	0941 7715 012
	RSGU1. 13/15	13	1/2	11.2+	18.5	1.5	x	x	0941 8915 013	0941 7715 013
	RSGU1. 14/15	14	9/16	11.2+	18.5	1.5	x	x	0941 8915 014	0941 7715 014
	RSGU1. 15/15	15	5/8	11.2+	18.5	1.5	x	x	0941 8915 015	0941 7715 015
	RSGU1. 16/15	16	5/8	11.2+	18.5	1.5	x	x	0941 8915 016	0941 7715 016
	RSGU1. 18/15	18	3/4	11.2+	18.5	1.5	x	x	0941 8915 018	0941 7715 018
	RSGU1. 19/15	19	3/4	11.2+	18.5	1.5	x	x	0941 8915 019	0941 7715 019
	RSGU1. 20/15	20	13/16	11.2+	18.5	1.5	x	x	0941 8915 020	0941 7715 020
	RSGU1. 21/15	21	13/16	11.2+	18.5	1.5	x	x	0941 8915 021	0941 7715 021
	RSGU1. 22/15	22	7/8	11.2+	18.5	1.5	x	x	0941 8915 022	0941 7715 022
	RSGU1. 23/15	23	7/8	11.2+	18.5	1.5	x	x	0941 8915 023	0941 7715 023
	RSGU1. 25/15	25	1	11.2+	18.5	1.5	x	x	0941 8915 025	0941 7715 025
	RSGU1. 26/15	26	11/16	11.2+	18.5	1.5	x	x	0941 8915 026	0941 7715 026
	RSGU1. 28/15	28	11/8	11.2+	18.5	1.5	x	x	0941 8915 028	0941 7715 028
	RSGU1. 30/15	30	13/16	11.2+	18.5	1.5	x	x	0941 8915 030	0941 7715 030
RSGU1. 32/15	32	11/4	11.2+	18.5	1.5	x	x	0941 8915 032	0941 7715 032	
RSGU1. 34/15	34	15/16	11.2+	18.5	1.5	x	x	0941 8915 034	0941 7715 034	
RSGU1. 35/15	35	13/8	11.2+	18.5	1.5	x	x	0941 8915 035	0941 7715 035	
20	RSGU1. 10/20	10	3/8	14.5+	25.0	2.0	x	x	0941 8920 010	0941 7720 010
	RSGU1. 12/20	12	1/2	14.5+	25.0	2.0	x	x	0941 8920 012	0941 7720 012
	RSGU1. 13/20	13	1/2	14.5+	25.0	2.0	x	x	0941 8920 013	0941 7720 013
	RSGU1. 14/20	14	9/16	14.5+	25.0	2.0	x	x	0941 8920 014	0941 7720 014
	RSGU1. 15/20	15	5/8	14.5+	25.0	2.0	x	x	0941 8920 015	0941 7720 015
	RSGU1. 16/20	16	5/8	14.5+	25.0	2.0	x	x	0941 8920 016	0941 7720 016
	RSGU1. 18/20	18	3/4	14.5+	25.0	2.0	x	x	0941 8920 018	0941 7720 018
	RSGU1. 19/20	19	3/4	14.5+	25.0	2.0	x	x	0941 8920 019	0941 7720 019
	RSGU1. 20/20	20	13/16	14.5+	25.0	2.0	x	x	0941 8920 020	0941 7720 020
	RSGU1. 22/20	22	7/8	14.5+	25.0	2.0	x	x	0941 8920 022	0941 7720 022
	RSGU1. 23/20	23	7/8	14.5+	25.0	2.0	x	x	0941 8920 023	0941 7720 023
	RSGU1. 24/20	24	15/16	14.5+	25.0	2.0	x	x	0941 8920 024	0941 7720 024
	RSGU1. 25/20	25	1	14.5+	25.0	2.0	x	x	0941 8920 025	0941 7720 025
	RSGU1. 28/20	28	11/8	14.5+	25.0	2.0	x	x	0941 8920 028	0941 7720 028
	RSGU1. 30/20	30	13/16	14.5+	25.0	2.0	x	x	0941 8920 030	0941 7720 030
	RSGU1. 32/20	32	11/4	14.5+	25.0	2.0	x	x	0941 8920 032	0941 7720 032
	RSGU1. 34/20	34	15/16	14.5+	25.0	2.0	x	x	0941 8920 034	0941 7720 034
	RSGU1. 35/20	35	13/8	14.5+	25.0	2.0	x	x	0941 8920 035	0941 7720 035
RSGU1. 36/20	36	17/16	14.5+	25.0	2.0	x	x	0941 8920 036	0941 7720 036	
RSGU1. 38/20	38	11/2	14.5+	25.0	2.0	x	x	0941 8920 038	0941 7720 038	
RSGU1. 40/20	40	19/16	14.5+	25.0	2.0	x	x	0941 8920 040	0941 7720 040	

Band width 9 mm and 25 mm on request  
Additional diameters on request



Refer to page 182.

RSGU 0



NORMAFIX® RSGU 0										
Band width	Designation	Clamping ranges		h1 <sup>2</sup> ~	b1	s2	EPDM	Silicone	W1	W5
		in mm	in inches						Product No.	Product No.
12	RSGU. 6/12	6	1/4	8.0+	15.0	1.2	x	x	0940 8912 006	0940 7712 006
	RSGU. 8/12	8	5/16	8.0+	15.0	1.2	x	x	0940 8912 008	0940 7712 008
	RSGU. 10/12	10	3/8	8.0+	15.0	1.2	x	x	0940 8912 010	0940 7712 010
	RSGU. 12/12	12	1/2	8.0+	15.0	1.2	x	x	0940 8912 012	0940 7712 012
	RSGU. 13/12	13	1/2	8.0+	15.0	1.2	x	x	0940 8912 013	0940 7712 013
	RSGU. 14/12	14	9/16	8.0+	15.0	1.2	x	x	0940 8912 014	0940 7712 014
	RSGU. 15/12	15	5/8	8.0+	15.0	1.2	x	x	0940 8912 015	0940 7712 015
	RSGU. 16/12	16	5/8	8.0+	15.0	1.2	x	x	0940 8912 016	0940 7712 016
	RSGU. 18/12	18	3/4	8.0+	15.0	1.2	x	x	0940 8912 018	0940 7712 018
	RSGU. 19/12	19	3/4	8.0+	15.0	1.2	x	x	0940 8912 019	0940 7712 019
	RSGU. 20/12	20	13/16	8.0+	15.0	1.2	x	x	0940 8912 020	0940 7712 020
	RSGU. 21/12	21	13/16	8.0+	15.0	1.2	x	x	0940 8912 021	0940 7712 021
	RSGU. 22/12	22	7/8	8.0+	15.0	1.2	x	x	0940 8912 022	0940 7712 022
	15	RSGU. 6/15	6	1/4	11.2+	18.5	1.5	x	x	0940 8915 006
RSGU. 8/15		8	5/16	11.2+	18.5	1.5	x	x	0940 8915 008	0940 7715 008
RSGU. 10/15		10	3/8	11.2+	18.5	1.5	x	x	0940 8915 010	0940 7715 010
RSGU. 12/15		12	1/2	11.2+	18.5	1.5	x	x	0940 8915 012	0940 7715 012
RSGU. 13/15		13	1/2	11.2+	18.5	1.5	x	x	0940 8915 013	0940 7715 013
RSGU. 14/15		14	9/16	11.2+	18.5	1.5	x	x	0940 8915 014	0940 7715 014
RSGU. 15/15		15	5/8	11.2+	18.5	1.5	x	x	0940 8915 015	0940 7715 015
RSGU. 16/15		16	5/8	11.2+	18.5	1.5	x	x	0940 8915 016	0940 7715 016
RSGU. 18/15		18	3/4	11.2+	18.5	1.5	x	x	0940 8915 018	0940 7715 018
RSGU. 19/15		19	3/4	11.2+	18.5	1.5	x	x	0940 8915 019	0940 7715 019
RSGU. 20/15		20	13/16	11.2+	18.5	1.5	x	x	0940 8915 020	0940 7715 020
RSGU. 21/15		21	13/16	11.2+	18.5	1.5	x	x	0940 8915 021	0940 7715 021
RSGU. 22/15		22	7/8	11.2+	18.5	1.5	x	x	0940 8915 022	0940 7715 022
RSGU. 23/15		23	7/8	11.2+	18.5	1.5	x	x	0940 8915 023	0940 7715 023
RSGU. 25/15		25	1	11.2+	18.5	1.5	x	x	0940 8915 025	0940 7715 025
RSGU. 26/15		26	11/16	11.2+	18.5	1.5	x	x	0940 8915 026	0940 7715 026
RSGU. 28/15		28	11/8	11.2+	18.5	1.5	x	x	0940 8915 028	0940 7715 028
RSGU. 30/15		30	13/16	11.2+	18.5	1.5	x	x	0940 8915 030	0940 7715 030
RSGU. 32/15		32	11/4	11.2+	18.5	1.5	x	x	0940 8915 032	0940 7715 032
RSGU. 34/15	34	15/16	11.2+	18.5	1.5	x	x	0940 8915 034	0940 7715 034	
RSGU. 35/15	35	13/8	11.2+	18.5	1.5	x	x	0940 8915 035	0940 7715 035	
20	RSGU. 10/20	10	3/8	14.5+	25.0	2.0	x	x	0940 8920 010	0940 7720 010
	RSGU. 12/20	12	1/2	14.5+	25.0	2.0	x	x	0940 8920 012	0940 7720 012
	RSGU. 13/20	13	1/2	14.5+	25.0	2.0	x	x	0940 8920 013	0940 7720 013
	RSGU. 14/20	14	9/16	14.5+	25.0	2.0	x	x	0940 8920 014	0940 7720 014
	RSGU. 15/20	15	5/8	14.5+	25.0	2.0	x	x	0940 8920 015	0940 7720 015
	RSGU. 16/20	16	5/8	14.5+	25.0	2.0	x	x	0940 8920 016	0940 7720 016
	RSGU. 18/20	18	3/4	14.5+	25.0	2.0	x	x	0940 8920 018	0940 7720 018
	RSGU. 19/20	19	3/4	14.5+	25.0	2.0	x	x	0940 8920 019	0940 7720 019
	RSGU. 20/20	20	13/16	14.5+	25.0	2.0	x	x	0940 8920 020	0940 7720 020
	RSGU. 22/20	22	7/8	14.5+	25.0	2.0	x	x	0940 8920 022	0940 7720 022
	RSGU. 23/20	23	7/8	14.5+	25.0	2.0	x	x	0940 8920 023	0940 7720 023
	RSGU. 24/20	24	15/16	14.5+	25.0	2.0	x	x	0940 8920 024	0940 7720 024
	RSGU. 25/20	25	1	14.5+	25.0	2.0	x	x	0940 8920 025	0940 7720 025
	RSGU. 28/20	28	11/8	14.5+	25.0	2.0	x	x	0940 8920 028	0940 7720 028
	RSGU. 30/20	30	13/16	14.5+	25.0	2.0	x	x	0940 8920 030	0940 7720 030
	RSGU. 32/20	32	11/4	14.5+	25.0	2.0	x	x	0940 8920 032	0940 7720 032
	RSGU. 34/20	34	15/16	14.5+	25.0	2.0	x	x	0940 8920 034	0940 7720 034
	RSGU. 35/20	35	13/8	14.5+	25.0	2.0	x	x	0940 8920 035	0940 7720 035
	RSGU. 36/20	36	17/16	14.5+	25.0	2.0	x	x	0940 8920 036	0940 7720 036
RSGU. 38/20	38	11/2	14.5+	25.0	2.0	x	x	0940 8920 038	0940 7720 038	
RSGU. 40/20	40	19/16	14.5+	25.0	2.0	x	x	0940 8920 040	0940 7720 040	

Band width 9 mm and 25 mm on request  
Additional diameters on request

RSGU 2



NORMAFIX® RSGU 2										
Band width	Designation	Clamping ranges		h1 <sup>2</sup> ~	b1	s2	EPDM	Silicone	W1	W5
		in mm	in inches						Product No.	Product No.
12	RSGU2. 6/12	6	1/4	8.0+	15.0	1.2	x	x	0942 8912 006	0942 7712 006
	RSGU2. 8/12	8	5/16	8.0+	15.0	1.2	x	x	0942 8912 008	0942 7712 008
	RSGU2. 10/12	10	3/8	8.0+	15.0	1.2	x	x	0942 8912 010	0942 7712 010
	RSGU2. 12/12	12	1/2	8.0+	15.0	1.2	x	x	0942 8912 012	0942 7712 012
	RSGU2. 13/12	13	1/2	8.0+	15.0	1.2	x	x	0942 8912 013	0942 7712 013
	RSGU2. 14/12	14	9/16	8.0+	15.0	1.2	x	x	0942 8912 014	0942 7712 014
	RSGU2. 15/12	15	5/8	8.0+	15.0	1.2	x	x	0942 8912 015	0942 7712 015
	RSGU2. 16/12	16	5/8	8.0+	15.0	1.2	x	x	0942 8912 016	0942 7712 016
	RSGU2. 18/12	18	3/4	8.0+	15.0	1.2	x	x	0942 8912 018	0942 7712 018
	RSGU2. 19/12	19	3/4	8.0+	15.0	1.2	x	x	0942 8912 019	0942 7712 019
	RSGU2. 20/12	20	13/16	8.0+	15.0	1.2	x	x	0942 8912 020	0942 7712 020
	RSGU2. 21/12	21	13/16	8.0+	15.0	1.2	x	x	0942 8912 021	0942 7712 021
RSGU2. 22/12	22	7/8	8.0+	15.0	1.2	x	x	0942 8912 022	0942 7712 022	
15	RSGU2. 6/15	6	1/4	11.2+	18.5	1.5	x	x	0942 8915 006	0942 7715 006
	RSGU2. 8/15	8	5/16	11.2+	18.5	1.5	x	x	0942 8915 008	0942 7715 008
	RSGU2. 10/15	10	3/8	11.2+	18.5	1.5	x	x	0942 8915 010	0942 7715 010
	RSGU2. 12/15	12	1/2	11.2+	18.5	1.5	x	x	0942 8915 012	0942 7715 012
	RSGU2. 13/15	13	1/2	11.2+	18.5	1.5	x	x	0942 8915 013	0942 7715 013
	RSGU2. 14/15	14	9/16	11.2+	18.5	1.5	x	x	0942 8915 014	0942 7715 014
	RSGU2. 15/15	15	5/8	11.2+	18.5	1.5	x	x	0942 8915 015	0942 7715 015
	RSGU2. 16/15	16	5/8	11.2+	18.5	1.5	x	x	0942 8915 016	0942 7715 016
	RSGU2. 18/15	18	3/4	11.2+	18.5	1.5	x	x	0942 8915 018	0942 7715 018
	RSGU2. 19/15	19	3/4	11.2+	18.5	1.5	x	x	0942 8915 019	0942 7715 019
	RSGU2. 20/15	20	13/16	11.2+	18.5	1.5	x	x	0942 8915 020	0942 7715 020
	RSGU2. 21/15	21	13/16	11.2+	18.5	1.5	x	x	0942 8915 021	0942 7715 021
	RSGU2. 22/15	22	7/8	11.2+	18.5	1.5	x	x	0942 8915 022	0942 7715 022
	RSGU2. 23/15	23	7/8	11.2+	18.5	1.5	x	x	0942 8915 023	0942 7715 023
	RSGU2. 25/15	25	1	11.2+	18.5	1.5	x	x	0942 8915 025	0942 7715 025
	RSGU2. 26/15	26	11/16	11.2+	18.5	1.5	x	x	0942 8915 026	0942 7715 026
	RSGU2. 28/15	28	11/8	11.2+	18.5	1.5	x	x	0942 8915 028	0942 7715 028
	RSGU2. 30/15	30	13/16	11.2+	18.5	1.5	x	x	0942 8915 030	0942 7715 030
RSGU2. 32/15	32	11/4	11.2+	18.5	1.5	x	x	0942 8915 032	0942 7715 032	
RSGU2. 34/15	34	15/16	11.2+	18.5	1.5	x	x	0942 8915 034	0942 7715 034	
RSGU2. 35/15	35	13/8	11.2+	18.5	1.5	x	x	0942 8915 035	0942 7715 035	
20	RSGU2. 10/20	10	3/8	14.5+	25.0	2.0	x	x	0942 8920 010	0942 7720 010
	RSGU2. 12/20	12	1/2	14.5+	25.0	2.0	x	x	0942 8920 012	0942 7720 012
	RSGU2. 13/20	13	1/2	14.5+	25.0	2.0	x	x	0942 8920 013	0942 7720 013
	RSGU2. 14/20	14	9/16	14.5+	25.0	2.0	x	x	0942 8920 014	0942 7720 014
	RSGU2. 15/20	15	5/8	14.5+	25.0	2.0	x	x	0942 8920 015	0942 7720 015
	RSGU2. 16/20	16	5/8	14.5+	25.0	2.0	x	x	0942 8920 016	0942 7720 016
	RSGU2. 18/20	18	3/4	14.5+	25.0	2.0	x	x	0942 8920 018	0942 7720 018
	RSGU2. 19/20	19	3/4	14.5+	25.0	2.0	x	x	0942 8920 019	0942 7720 019
	RSGU2. 20/20	20	13/16	14.5+	25.0	2.0	x	x	0942 8920 020	0942 7720 020
	RSGU2. 22/20	22	7/8	14.5+	25.0	2.0	x	x	0942 8920 022	0942 7720 022
	RSGU2. 23/20	23	7/8	14.5+	25.0	2.0	x	x	0942 8920 023	0942 7720 023
	RSGU2. 24/20	24	15/16	14.5+	25.0	2.0	x	x	0942 8920 024	0942 7720 024
	RSGU2. 25/20	25	1	14.5+	25.0	2.0	x	x	0942 8920 025	0942 7720 025
	RSGU2. 28/20	28	11/8	14.5+	25.0	2.0	x	x	0942 8920 028	0942 7720 028
	RSGU2. 30/20	30	13/16	14.5+	25.0	2.0	x	x	0942 8920 030	0942 7720 030
	RSGU2. 32/20	32	11/4	14.5+	25.0	2.0	x	x	0942 8920 032	0942 7720 032
	RSGU2. 34/20	34	15/16	14.5+	25.0	2.0	x	x	0942 8920 034	0942 7720 034
	RSGU2. 35/20	35	13/8	14.5+	25.0	2.0	x	x	0942 8920 035	0942 7720 035
RSGU2. 36/20	36	17/16	14.5+	25.0	2.0	x	x	0942 8920 036	0942 7720 036	
RSGU2. 38/20	38	11/2	14.5+	25.0	2.0	x	x	0942 8920 038	0942 7720 038	
RSGU2. 40/20	40	19/16	14.5+	25.0	2.0	x	x	0942 8920 040	0942 7720 040	

Band width 9 mm and 25 mm on request  
Additional diameters on request

RS 0



NORMAFIX® RS 0									
Band width	Designation	Clamping ranges		d	h1 <sup>2</sup> ~	l	s	W1 Product No.	W5 Product No.
		in mm	in inches						
12	RS 0. 6/12	6	1/4	5.3 (M5)	6.8+	5.0	0.5	0410 8912 006	0410 7712 006
	RS 0. 8/12	8	5/16	5.3 (M5)	6.8+	5.0	0.5	0410 8912 008	0410 7712 008
	RS 0. 10/12	10	3/8	5.3 (M5)	6.8+	5.0	0.5	0410 8912 010	0410 7712 010
	RS 0. 12/12	12	1/2	5.3 (M5)	6.8+	5.0	0.5	0410 8912 012	0410 7712 012
	RS 0. 13/12	13	1/2	5.3 (M5)	6.8+	5.0	0.5	0410 8912 013	0410 7712 013
	RS 0. 14/12	14	9/16	5.3 (M5)	6.8+	5.0	0.5	0410 8912 014	0410 7712 014
	RS 0. 15/12	15	5/8	5.3 (M5)	6.8+	5.0	0.5	0410 8912 015	0410 7712 015
	RS 0. 16/12	16	5/8	5.3 (M5)	6.8+	5.0	0.5	0410 8912 016	0410 7712 016
	RS 0. 18/12	18	3/4	5.3 (M5)	6.8+	5.0	0.5	0410 8912 018	0410 7712 018
	RS 0. 19/12	19	3/4	5.3 (M5)	6.8+	5.0	0.5	0410 8912 019	0410 7712 019
	RS 0. 20/12	20	13/16	5.3 (M5)	6.8+	5.0	0.5	0410 8912 020	0410 7712 020
	RS 0. 21/12	21	13/16	5.3 (M5)	6.8+	5.0	0.5	0410 8912 021	0410 7712 021
	RS 0. 22/12	22	7/8	5.3 (M5)	6.8+	5.0	0.5	0410 8912 022	0410 7712 022
15	RS 0. 6/15	6	1/4	6.4 (M6)	9.7+	6.0	0.6	0410 8915 006	0410 7715 006
	RS 0. 8/15	8	5/16	6.4 (M6)	9.7+	6.0	0.6	0410 8915 008	0410 7715 008
	RS 0. 10/15	10	3/8	6.4 (M6)	9.7+	6.0	0.6	0410 8915 010	0410 7715 010
	RS 0. 12/15	12	1/2	6.4 (M6)	9.7+	6.0	0.6	0410 8915 012	0410 7715 012
	RS 0. 13/15	13	1/2	6.4 (M6)	9.7+	6.0	0.6	0410 8915 013	0410 7715 013
	RS 0. 14/15	14	9/16	6.4 (M6)	9.7+	6.0	0.6	0410 8915 014	0410 7715 014
	RS 0. 15/15	15	5/8	6.4 (M6)	9.7+	6.0	0.8	0410 8915 015	0410 7715 015
	RS 0. 16/15	16	5/8	6.4 (M6)	9.7+	6.0	0.8	0410 8915 016	0410 7715 016
	RS 0. 18/15	18	3/4	6.4 (M6)	9.7+	6.0	0.8	0410 8915 018	0410 7715 018
	RS 0. 19/15	19	3/4	6.4 (M6)	9.7+	6.0	0.8	0410 8915 019	0410 7715 019
	RS 0. 20/15	20	13/16	6.4 (M6)	9.7+	6.0	0.8	0410 8915 020	0410 7715 020
	RS 0. 21/15	21	13/16	6.4 (M6)	9.7+	6.0	0.8	0410 8915 021	0410 7715 021
	RS 0. 22/15	22	7/8	6.4 (M6)	9.7+	6.0	0.8	0410 8915 022	0410 7715 022
	RS 0. 23/15	23	7/8	6.4 (M6)	9.7+	6.0	0.8	0410 8915 023	0410 7715 023
	RS 0. 25/15	25	1	6.4 (M6)	9.7+	6.0	0.8	0410 8915 025	0410 7715 025
	RS 0. 26/15	26	11/16	6.4 (M6)	9.7+	6.0	0.8	0410 8915 026	0410 7715 026
	RS 0. 28/15	28	11/8	6.4 (M6)	9.7+	6.0	0.8	0410 8915 028	0410 7715 028
	RS 0. 30/15	30	13/16	6.4 (M6)	9.7+	6.0	0.8	0410 8915 030	0410 7715 030
RS 0. 32/15	32	11/4	6.4 (M6)	9.7+	6.0	0.8	0410 8915 032	0410 7715 032	
RS 0. 34/15	34	15/16	6.4 (M6)	9.7+	6.0	0.8	0410 8915 034	0410 7715 034	
RS 0. 35/15	35	13/8	6.4 (M6)	9.7+	6.0	0.8	0410 8915 035	0410 7715 035	
20	RS 0. 10/20	10	3/8	8.4 (M8)	12.5+	8.5	0.8	0410 8920 010	0410 7720 010
	RS 0. 12/20	12	1/2	8.4 (M8)	12.5+	8.5	0.8	0410 8920 012	0410 7720 012
	RS 0. 13/20	13	1/2	8.4 (M8)	12.5+	8.5	0.8	0410 8920 013	0410 7720 013
	RS 0. 14/20	14	9/16	8.4 (M8)	12.5+	8.5	0.8	0410 8920 014	0410 7720 014
	RS 0. 15/20	15	5/8	8.4 (M8)	12.5+	8.5	0.8	0410 8920 015	0410 7720 015
	RS 0. 16/20	16	5/8	8.4 (M8)	12.5+	8.5	0.8	0410 8920 016	0410 7720 016
	RS 0. 18/20	18	3/4	8.4 (M8)	12.5+	8.5	0.8	0410 8920 018	0410 7720 018
	RS 0. 19/20	19	3/4	8.4 (M8)	12.5+	8.5	0.8	0410 8920 019	0410 7720 019
	RS 0. 20/20	20	13/16	8.4 (M8)	12.5+	8.5	0.8	0410 8920 020	0410 7720 020
	RS 0. 22/20	22	7/8	8.4 (M8)	12.5+	8.5	0.8	0410 8920 022	0410 7720 022
	RS 0. 23/20	23	7/8	8.4 (M8)	12.5+	8.5	0.8	0410 8920 023	0410 7720 023
	RS 0. 24/20	24	15/16	8.4 (M8)	12.5+	8.5	0.8	0410 8920 024	0410 7720 024
	RS 0. 25/20	25	1	8.4 (M8)	12.5+	8.5	0.8	0410 8920 025	0410 7720 025
	RS 0. 28/20	28	11/8	8.4 (M8)	12.5+	8.5	1.0	0410 8920 028	0410 7720 028
	RS 0. 30/20	30	13/16	8.4 (M8)	12.5+	8.5	1.0	0410 8920 030	0410 7720 030
	RS 0. 32/20	32	11/4	8.4 (M8)	12.5+	8.5	1.0	0410 8920 032	0410 7720 032
	RS 0. 34/20	34	15/16	8.4 (M8)	12.5+	8.5	1.0	0410 8920 034	0410 7720 034
	RS 0. 35/20	35	13/8	8.4 (M8)	12.5+	8.5	1.0	0410 8920 035	0410 7720 035
RS 0. 36/20	36	17/16	8.4 (M8)	12.5+	8.5	1.0	0410 8920 036	0410 7720 036	
RS 0. 38/20	38	11/2	8.4 (M8)	12.5+	8.5	1.0	0410 8920 038	0410 7720 038	
RS 0. 40/20	40	19/16	8.4 (M8)	12.5+	8.5	1.0	0410 8920 040	0410 7720 040	

Band width 9 mm and 25 mm on request  
Additional diameters on request

RS 1



NORMAFIX® RS 1									
Band width	Designation	Clamping ranges		d	h1 <sup>2</sup> ~	l	s	W1 Product No.	W5 Product No.
		in mm	in inches						
12	RS 1. 6/12	6	1/4	5.3 (M5)	6.8+	5.0	0.5	0411 8912 006	0411 7712 006
	RS 1. 8/12	8	5/16	5.3 (M5)	6.8+	5.0	0.5	0411 8912 008	0411 7712 008
	RS 1. 10/12	10	3/8	5.3 (M5)	6.8+	5.0	0.5	0411 8912 010	0411 7712 010
	RS 1. 12/12	12	1/2	5.3 (M5)	6.8+	5.0	0.5	0411 8912 012	0411 7712 012
	RS 1. 13/12	13	1/2	5.3 (M5)	6.8+	5.0	0.5	0411 8912 013	0411 7712 013
	RS 1. 14/12	14	9/16	5.3 (M5)	6.8+	5.0	0.5	0411 8912 014	0411 7712 014
	RS 1. 15/12	15	5/8	5.3 (M5)	6.8+	5.0	0.5	0411 8912 015	0411 7712 015
	RS 1. 16/12	16	5/8	5.3 (M5)	6.8+	5.0	0.5	0411 8912 016	0411 7712 016
	RS 1. 18/12	18	3/4	5.3 (M5)	6.8+	5.0	0.5	0411 8912 018	0411 7712 018
	RS 1. 19/12	19	3/4	5.3 (M5)	6.8+	5.0	0.5	0411 8912 019	0411 7712 019
	RS 1. 20/12	20	13/16	5.3 (M5)	6.8+	5.0	0.5	0411 8912 020	0411 7712 020
	RS 1. 21/12	21	13/16	5.3 (M5)	6.8+	5.0	0.5	0411 8912 021	0411 7712 021
RS 1. 22/12	22	7/8	5.3 (M5)	6.8+	5.0	0.5	0411 8912 022	0411 7712 022	
15	RS 1. 6/15	6	1/4	6.4 (M6)	9.7+	6.0	0.6	0411 8915 006	0411 7715 006
	RS 1. 8/15	8	5/16	6.4 (M6)	9.7+	6.0	0.6	0411 8915 008	0411 7715 008
	RS 1. 10/15	10	3/8	6.4 (M6)	9.7+	6.0	0.6	0411 8915 010	0411 7715 010
	RS 1. 12/15	12	1/2	6.4 (M6)	9.7+	6.0	0.6	0411 8915 012	0411 7715 012
	RS 1. 13/15	13	1/2	6.4 (M6)	9.7+	6.0	0.6	0411 8915 013	0411 7715 013
	RS 1. 14/15	14	9/16	6.4 (M6)	9.7+	6.0	0.8	0411 8915 014	0411 7715 014
	RS 1. 15/15	15	5/8	6.4 (M6)	9.7+	6.0	0.8	0411 8915 015	0411 7715 015
	RS 1. 16/15	16	5/8	6.4 (M6)	9.7+	6.0	0.8	0411 8915 016	0411 7715 016
	RS 1. 18/15	18	3/4	6.4 (M6)	9.7+	6.0	0.8	0411 8915 018	0411 7715 018
	RS 1. 19/15	19	3/4	6.4 (M6)	9.7+	6.0	0.8	0411 8915 019	0411 7715 019
	RS 1. 20/15	20	13/16	6.4 (M6)	9.7+	6.0	0.8	0411 8915 020	0411 7715 020
	RS 1. 21/15	21	13/16	6.4 (M6)	9.7+	6.0	0.8	0411 8915 021	0411 7715 021
	RS 1. 22/15	22	7/8	6.4 (M6)	9.7+	6.0	0.8	0411 8915 022	0411 7715 022
	RS 1. 23/15	23	7/8	6.4 (M6)	9.7+	6.0	0.8	0411 8915 023	0411 7715 023
	RS 1. 25/15	25	1	6.4 (M6)	9.7+	6.0	0.8	0411 8915 025	0411 7715 025
	RS 1. 26/15	26	11/16	6.4 (M6)	9.7+	6.0	0.8	0411 8915 026	0411 7715 026
	RS 1. 28/15	28	11/8	6.4 (M6)	9.7+	6.0	0.8	0411 8915 028	0411 7715 028
	RS 1. 30/15	30	13/16	6.4 (M6)	9.7+	6.0	0.8	0411 8915 030	0411 7715 030
RS 1. 32/15	32	11/4	6.4 (M6)	9.7+	6.0	0.8	0411 8915 032	0411 7715 032	
RS 1. 34/15	34	15/16	6.4 (M6)	9.7+	6.0	0.8	0411 8915 034	0411 7715 034	
RS 1. 35/15	35	13/8	6.4 (M6)	9.7+	6.0	0.8	0411 8915 035	0411 7715 035	
20	RS 1. 10/20	10	3/8	8.4 (M8)	12.5+	8.5	0.8	0411 8920 009	0411 7720 010
	RS 1. 12/20	12	1/2	8.4 (M8)	12.5+	8.5	0.8	0411 8920 011	0411 7720 012
	RS 1. 13/20	13	1/2	8.4 (M8)	12.5+	8.5	0.8	0411 8920 012	0411 7720 013
	RS 1. 14/20	14	9/16	8.4 (M8)	12.5+	8.5	0.8	0411 8920 013	0411 7720 014
	RS 1. 15/20	15	5/8	8.4 (M8)	12.5+	8.5	0.8	0411 8920 014	0411 7720 015
	RS 1. 16/20	16	5/8	8.4 (M8)	12.5+	8.5	0.8	0411 8920 015	0411 7720 016
	RS 1. 18/20	18	3/4	8.4 (M8)	12.5+	8.5	0.8	0411 8920 017	0411 7720 018
	RS 1. 19/20	19	3/4	8.4 (M8)	12.5+	8.5	0.8	0411 8920 018	0411 7720 019
	RS 1. 20/20	20	13/16	8.4 (M8)	12.5+	8.5	0.8	0411 8920 019	0411 7720 020
	RS 1. 22/20	22	7/8	8.4 (M8)	12.5+	8.5	0.8	0411 8920 021	0411 7720 022
	RS 1. 23/20	23	7/8	8.4 (M8)	12.5+	8.5	0.8	0411 8920 022	0411 7720 023
	RS 1. 24/20	24	15/16	8.4 (M8)	12.5+	8.5	0.8	0411 8920 023	0411 7720 024
	RS 1. 25/20	25	1	8.4 (M8)	12.5+	8.5	0.8	0411 8920 024	0411 7720 025
	RS 1. 28/20	28	11/8	8.4 (M8)	12.5+	8.5	0.8	0411 8920 027	0411 7720 028
	RS 1. 30/20	30	13/16	8.4 (M8)	12.5+	8.5	1.0	0411 8920 029	0411 7720 030
	RS 1. 32/20	32	11/4	8.4 (M8)	12.5+	8.5	1.0	0411 8920 032	0411 7720 032
	RS 1. 34/20	34	15/16	8.4 (M8)	12.5+	8.5	1.0	0411 8920 034	0411 7720 034
	RS 1. 35/20	35	13/8	8.4 (M8)	12.5+	8.5	1.0	0411 8920 035	0411 7720 035
	RS 1. 36/20	36	17/16	8.4 (M8)	12.5+	8.5	1.0	0411 8920 036	0411 7720 036
	RS 1. 38/20	38	11/2	8.4 (M8)	12.5+	8.5	1.0	0411 8920 038	0411 7720 038
RS 1. 40/20	40	19/16	8.4 (M8)	12.5+	8.5	1.0	0411 8920 040	0411 7720 040	

Band width 9 mm and 25 mm on request  
Additional diameters on request

RS 2



NORMAFIX® RS 2									
Band width	Designation	Clamping ranges		d	h1 <sup>2</sup> ~	l	s	W1 Product No.	W5 Product No.
		in mm	in inches						
12	RS 2. 6/12	6	1/4	4.3 (M4)	4.7+	3.8	0.4	0412 8912 006	0412 7712 006
	RS 2. 8/12	8	5/16	4.3 (M4)	4.7+	3.8	0.4	0412 8912 008	0412 7712 008
	RS 2. 10/12	10	3/8	5.3 (M5)	6.8+	5.0	0.5	0412 8912 010	0412 7712 010
	RS 2. 12/12	12	1/2	5.3 (M5)	6.8+	5.0	0.5	0412 8912 012	0412 7712 012
	RS 2. 13/12	13	1/2	4.3 (M4)	4.7+	3.8	0.4	0412 8912 013	0412 7712 013
	RS 2. 14/12	14	9/16	4.3 (M4)	4.7+	3.8	0.4	0412 8912 014	0412 7712 014
	RS 2. 15/12	15	5/8	4.3 (M4)	4.7+	3.8	0.4	0412 8912 015	0412 7712 015
	RS 2. 16/12	16	5/8	5.3 (M5)	6.8+	5.0	0.5	0412 8912 016	0412 7712 016
	RS 2. 18/12	18	3/4	5.3 (M5)	6.8+	5.0	0.5	0412 8912 018	0412 7712 018
	RS 2. 19/12	19	3/4	4.3 (M4)	4.7+	3.8	0.4	0412 8912 019	0412 7712 019
	RS 2. 20/12	20	13/16	4.3 (M4)	4.7+	3.8	0.4	0412 8912 020	0412 7712 020
	RS 2. 21/12	21	13/16	4.3 (M4)	4.7+	3.8	0.4	0412 8912 021	0412 7712 021
RS 2. 22/12	22	7/8	5.3 (M5)	6.8+	5.0	0.5	0412 8912 022	0412 7712 022	
15	RS 2. 6/15	6	1/4	6.4 (M6)	9.7+	6.0	0.6	0412 8915 006	0412 7715 006
	RS 2. 8/15	8	5/16	6.4 (M6)	9.7+	6.0	0.6	0412 8915 008	0412 7715 008
	RS 2. 10/15	10	3/8	6.4 (M6)	9.7+	6.0	0.6	0412 8915 010	0412 7715 010
	RS 2. 12/15	12	1/2	6.4 (M6)	9.7+	6.0	0.8	0412 8915 012	0412 7715 012
	RS 2. 13/15	13	1/2	6.4 (M6)	9.7+	6.0	0.8	0412 8915 013	0412 7715 013
	RS 2. 14/15	14	9/16	6.4 (M6)	9.7+	6.0	0.8	0412 8915 014	0412 7715 014
	RS 2. 15/15	15	5/8	6.4 (M6)	9.7+	6.0	0.8	0412 8915 015	0412 7715 015
	RS 2. 16/15	16	5/8	6.4 (M6)	9.7+	6.0	0.8	0412 8915 016	0412 7715 016
	RS 2. 18/15	18	3/4	6.4 (M6)	9.7+	6.0	0.8	0412 8915 018	0412 7715 018
	RS 2. 19/15	19	3/4	6.4 (M6)	9.7+	6.0	0.8	0412 8915 019	0412 7715 019
	RS 2. 20/15	20	13/16	6.4 (M6)	9.7+	6.0	0.8	0412 8915 020	0412 7715 020
	RS 2. 21/15	21	13/16	6.4 (M6)	9.7+	6.0	0.8	0412 8915 021	0412 7715 021
	RS 2. 22/15	22	7/8	6.4 (M6)	9.7+	6.0	0.8	0412 8915 022	0412 7715 022
	RS 2. 23/15	23	7/8	6.4 (M6)	9.7+	6.0	0.8	0412 8915 023	0412 7715 023
	RS 2. 25/15	25	1	6.4 (M6)	9.7+	6.0	0.8	0412 8915 025	0412 7715 025
	RS 2. 26/15	26	11/16	6.4 (M6)	9.7+	6.0	0.8	0412 8915 026	0412 7715 026
	RS 2. 28/15	28	11/8	6.4 (M6)	9.7+	6.0	0.8	0412 8915 028	0412 7715 028
	RS 2. 30/15	30	13/16	6.4 (M6)	9.7+	6.0	0.8	0412 8915 030	0412 7715 030
RS 2. 32/15	32	11/4	6.4 (M6)	9.7+	6.0	0.8	0412 8915 032	0412 7715 032	
RS 2. 34/15	34	15/16	6.4 (M6)	9.7+	6.0	0.8	0412 8915 034	0412 7715 034	
RS 2. 35/15	35	13/8	6.4 (M6)	9.7+	6.0	0.8	0412 8915 035	0412 7715 035	
20	RS 2. 10/20	10	3/8	8.4 (M8)	12.5+	8.5	0.8	0412 8920 010	0412 7720 010
	RS 2. 12/20	12	1/2	8.4 (M8)	12.5+	8.5	0.8	0412 8920 012	0412 7720 012
	RS 2. 13/20	13	1/2	8.4 (M8)	12.5+	8.5	0.8	0412 8920 013	0412 7720 013
	RS 2. 14/20	14	9/16	8.4 (M8)	12.5+	8.5	0.8	0412 8920 014	0412 7720 014
	RS 2. 15/20	15	5/8	8.4 (M8)	12.5+	8.5	0.8	0412 8920 015	0412 7720 015
	RS 2. 16/20	16	5/8	8.4 (M8)	12.5+	8.5	0.8	0412 8920 016	0412 7720 016
	RS 2. 18/20	18	3/4	8.4 (M8)	12.5+	8.5	0.8	0412 8920 018	0412 7720 018
	RS 2. 19/20	19	3/4	8.4 (M8)	12.5+	8.5	0.8	0412 8920 019	0412 7720 019
	RS 2. 20/20	20	13/16	8.4 (M8)	12.5+	8.5	0.8	0412 8920 020	0412 7720 020
	RS 2. 22/20	22	7/8	8.4 (M8)	12.5+	8.5	0.8	0412 8920 022	0412 7720 022
	RS 2. 23/20	23	7/8	8.4 (M8)	12.5+	8.5	0.8	0412 8920 023	0412 7720 023
	RS 2. 24/20	24	15/16	8.4 (M8)	12.5+	8.5	0.8	0412 8920 024	0412 7720 024
	RS 2. 25/20	25	1	8.4 (M8)	12.5+	8.5	0.8	0412 8920 025	0412 7720 025
	RS 2. 28/20	28	11/8	8.4 (M8)	12.5+	8.5	1.0	0412 8920 028	0412 7720 028
	RS 2. 30/20	30	13/16	8.4 (M8)	12.5+	8.5	1.0	0412 8920 030	0412 7720 030
	RS 2. 32/20	32	11/4	8.4 (M8)	12.5+	8.5	1.0	0412 8920 032	0412 7720 032
	RS 2. 34/20	34	15/16	8.4 (M8)	12.5+	8.5	1.0	0412 8920 034	0412 7720 034
	RS 2. 35/20	35	13/8	8.4 (M8)	12.5+	8.5	1.0	0412 8920 035	0412 7720 035
RS 2. 36/20	36	17/16	8.4 (M8)	12.5+	8.5	1.0	0412 8920 036	0412 7720 036	
RS 2. 38/20	38	11/2	8.4 (M8)	12.5+	8.5	1.0	0412 8920 038	0412 7720 038	
RS 2. 40/20	40	19/16	8.4 (M8)	12.5+	8.5	1.0	0412 8920 040	0412 7720 040	

Band width 9 mm and 25 mm on request  
Additional diameters on request

## NORMAFIX® RS/RSGU/RLGU

### Pipe retaining clips in accordance with DIN 3016

NORMAFIX® RS/RSGU pipe retaining clips are suitable for all kinds of fastening and retaining applications: pipes, cables, cable harnesses, cable protection pipes, hoses and other lines.

#### 1 Form-fit, adjustable band

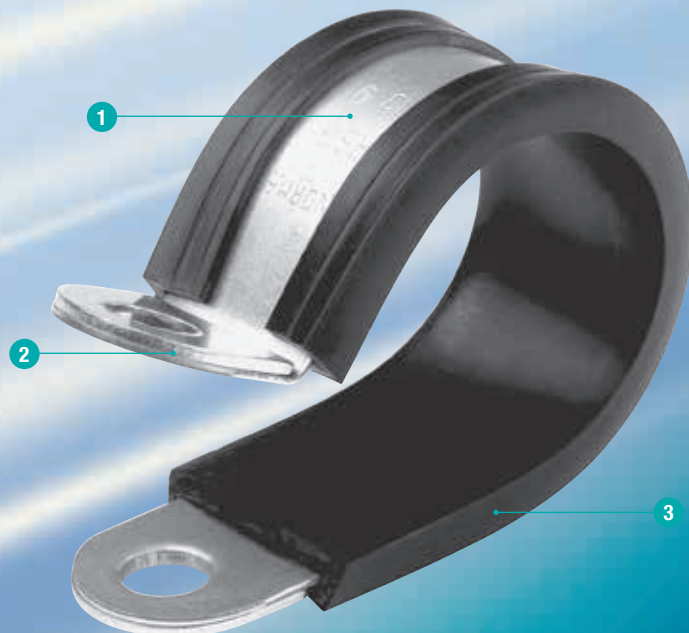
- makes installation easier and ensures secure fastening

#### 2 Reinforced band ends

- strengthen the band; prevent retaining sections from tearing or becoming loose during exposure to extremely high mechanical loads

#### 3 Can be supplied with rubber profile as an option

- protection against vibrations and creeping water
- sound-absorbing
- improved form closure between clip and clamping fixture
- dumping
- protection against contact corrosion



### Advantages at a glance

- Easy installation and secure fastening
- Reinforced band ends for extremely high mechanical loads
- Rubber profile protects against vibrations and creeping water, is sound-absorbent and protects against contact corrosion
- Prepositioning on the tube (RSGUV) makes assembly significantly easier
- No single parts for the customer

### Applications

- Machine building
- White goods
- Chemical industry
- Irrigation systems
- Ship manufacturing
- Food and beverage industry
- Railway industry
- Agricultural machines
- Building machines
- Engine manufacturing
- Pump and filter
- Mining industry

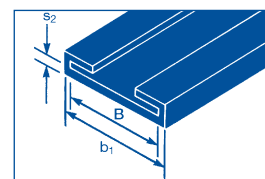


# NORMAFIX® RS/RSGU/RLGU

## Rubber profile

### Material properties of EPDM rubber profile

Material properties		EPDM rubber profile
Tensile strength [N/mm <sup>2</sup> ]		Min. 8
Elongation at break [%]		350
Shore hardness A		70 ± 5
Temperature [°C]		-40 to +120
Resistance to:	Weather/Ozone	Very good
	Ageing/UV	Very good
	Fuel storage	Not suitable
	Storage in oils and greases	Not suitable
	Alcohols	Good
	Acids	Good
	Alkalis	Good



B = band width of clip

b<sub>1</sub> = width in mm

s<sub>2</sub> = material thickness in mm

Silicone rubber profile also available on request.

## Versions

The standard version is NORMAFIX® RS/RSGU (**type 1**). A round version (NORMAFIX® RS/RSGU **type 0**) and an open version (NORMAFIX® RS/RSGU **type 2**) are also available.

Type 0



Type 1



Type 2



In addition to the types mentioned above, a special NORMAFIX® RV range is also available. This range of pipe retaining clips is a variation on the standard RS/RSGU model (type 1) and features a mounting fastener. When the two clip ends are pressed together, the mounting fastener locks into place automatically and holds the clip closed (pre-installation on pipe systems). See RSGUV 1 picture on the right.

RSGUV 1



We will be happy to provide information about available diameters and band widths on request.

The NORMAFIX® RLGU is directly based on the standard type 1 model, but does not have reinforced band ends and is suitable for use wherever pipe retaining clips are exposed to only slight mechanical loads (e.g. in the case of cable fastening). The NORMAFIX® RLGU range can only be supplied with a band width of 12 mm.

RLGU



Please refer to the table of sizes in this document for information on the full range. If required, all NORMAFIX® pipe retaining clips can also be fitted with a special sound damping rubber profile.

Other sizes available on request.

# NORMAFIX® RS/RSGU/RLGU

## Bolt

The scope of delivery does not include bolts or nuts.

We recommend:

For NORMAFIX® RSGU with 12mm band width: M5 bolt

For NORMAFIX® RSGU with 15mm band width: M6 bolt

For NORMAFIX® RSGU with 20mm band width: M8 bolt

For NORMAFIX® RLGU with 12mm band width: M6 bolt



## Ordering information

When submitting requests and orders, please specify the data in the following way

	1. Type	2. Clamping diameter (outer pipe diameter)	3. Band width	4. Material
Example	<b>RSGU 1.</b>	<b>6/</b>	<b>12</b>	<b>W1</b>

## Materials

W1	W2	W3	W4	W5
x		x	x	x

Special surfaces 2B Zinc Nickel on request.

## Sizes, band widths & materials

NORMAFIX® RSGU/RS							
Band width	Designation	Clamping ranges		W1	W3	W4	W5
		in mm	in inches				
12	RSGU 1.6/12	6	1/4	X	X	X	X
	RSGU 1.8/12	8	5/16	X	X	X	X
	RSGU 1.10/12	10	3/8	X	X	X	X
	RSGU 1.12/12	12	1/2	X	X	X	X
	RSGU 1.13/12	13	1/2	X	X	X	X
	RSGU 1.14/12	14	9/16	X	X	X	X
	RSGU 1.15/12	15	5/8	X	X	X	X
	RSGU 1.16/12	16	5/8	X	X	X	X
	RSGU 1.18/12	18	3/4	X	X	X	X
	RSGU 1.19/12	19	3/4	X	X	X	X
	RSGU 1.20/12	20	1 3/16	X	X	X	X
	RSGU 1.21/12	21	1 3/16	X	X	X	X
	RSGU 1.22/12	22	7/8	X	X	X	X
15	RSGU 1.6/15	6	1/4	X	X	X	X
	RSGU 1.8/15	8	5/16	X	X	X	X
	RSGU 1.10/15	10	3/8	X	X	X	X
	RSGU 1.12/15	12	1/2	X	X	X	X
	RSGU 1.13/15	13	1/2	X	X	X	X
	RSGU 1.14/15	14	9/16	X	X	X	X
	RSGU 1.15/15	15	5/8	X	X	X	X
	RSGU 1.16/15	16	5/8	X	X	X	X
	RSGU 1.18/15	18	3/4	X	X	X	X
	RSGU 1.19/15	19	3/4	X	X	X	X
	RSGU 1.20/15	20	1 3/16	X	X	X	X
	RSGU 1.21/15	21	1 3/16	X	X	X	X
	RSGU 1.22/15	22	7/8	X	X	X	X
	RSGU 1.23/15	23	7/8	X	X	X	X
	RSGU 1.25/15	25	1	X	X	X	X
	RSGU 1.26/15	26	1 1/16	X	X	X	X
	RSGU 1.28/15	28	1 1/8	X	X	X	X
	RSGU 1.30/15	30	1 3/16	X	X	X	X
	RSGU 1.32/15	32	1 1/4	X	X	X	X
	RSGU 1.34/15	34	1 5/16	X	X	X	X
RSGU 1.35/15	35	1 3/8	X	X	X	X	

# NORMAFIX® RS/RSGU/RLGU

Sizes,  
band widths  
& materials

NORMAFIX® RSGU							
Band width	Designation	Clamping ranges		W1	W3	W4	W5
		in mm	in inches				
20	RSGU 1.10/20	10	3/8	X	X	X	X
	RSGU 1.12/20	12	1/2	X	X	X	X
	RSGU 1.13/20	13	1/2	X	X	X	X
	RSGU 1.14/20	14	9/16	X	X	X	X
	RSGU 1.15/20	15	5/8	X	X	X	X
	RSGU 1.16/20	16	5/8	X	X	X	X
	RSGU 1.18/20	18	3/4	X	X	X	X
	RSGU 1.19/20	19	3/4	X	X	X	X
	RSGU 1.20/20	20	13/16	X	X	X	X
	RSGU 1.22/20	22	7/8	X	X	X	X
	RSGU 1.23/20	23	7/8	X	X	X	X
	RSGU 1.24/20	24	15/16	X	X	X	X
	RSGU 1.25/20	25	1	X	X	X	X
	RSGU 1.28/20	28	11/8	X	X	X	X
	RSGU 1.30/20	30	13/16	X	X	X	X
	RSGU 1.32/20	32	11/4	X	X	X	X
	RSGU 1.34/20	34	15/16	X	X	X	X
	RSGU 1.35/20	35	13/8	X	X	X	X
	RSGU 1.36/20	36	17/16	X	X	X	X
	RSGU 1.38/20	38	11/2	X	X	X	X
RSGU 1.40/20	40	19/16	X	X	X	X	

NORMAFIX® RLGU				
Band width	Designation	Clamping ranges		W1
		in mm	in inches	
12	RLGU 1.5/12	5	3/16	X
	RLGU 1.6/12	6	1/4	X
	RLGU 1.7/12	7	5/16	X
	RLGU 1.8/12	8	5/16	X
	RLGU 1.9/12	9	3/8	X
	RLGU 1.10/12	10	3/8	X
	RLGU 1.11/12	11	7/16	X
	RLGU 1.12/12	12	1/2	X
	RLGU 1.13/12	13	1/2	X
	RLGU 1.14/12	14	9/16	X
	RLGU 1.15/12	15	5/8	X
	RLGU 1.16/12	16	5/8	X
	RLGU 1.17/12	17	1 1/16	X
	RLGU 1.18/12	18	3/4	X
	RLGU 1.19/12	19	3/4	X
	RLGU 1.20/12	20	1 3/16	X
	RLGU 1.21/12	21	1 3/16	X
	RLGU 1.22/12	22	7/8	X
	RLGU 1.23/12	23	7/8	X
	RLGU 1.24/12	24	1 5/16	X
	RLGU 1.25/12	25	1	X
	RLGU 1.26/12	26	1 1/16	X
	RLGU 1.27/12	27	1 1/16	X
	RLGU 1.28/12	28	1 1/8	X
	RLGU 1.29/12	29	1 1/8	X
	RLGU 1.30/12	30	1 3/16	X
	RLGU 1.31/12	31	1 1/4	X
	RLGU 1.32/12	32	1 1/4	X
	RLGU 1.33/12	33	1 5/16	X
	RLGU 1.34/12	34	1 5/16	X
	RLGU 1.35/12	35	1 3/8	X
	RLGU 1.36/12	36	1 7/16	X
	RLGU 1.37/12	37	1 7/16	X
	RLGU 1.38/12	38	1 1/2	X
	RLGU 1.39/12	39	1 9/16	X
	RLGU 1.40/12	40	1 9/16	X
	RLGU 1.41/12	41	1 5/8	X
	RLGU 1.42/12	42	1 5/8	X
	RLGU 1.43/12	43	1 11/16	X
	RLGU 1.44/12	44	1 3/4	X
RLGU 1.45/12	45	1 3/4	X	

# NORMAFIX® RS/RSGU/RLGU

## NORMAFIX® RSO

Pipe clip type 0  
Without rubber profile



NORMAFIX® RSO								
Band width	Minimum $\phi^{(1)}$	d	$h1^{(2)}$ ≈	l	s			
					W1	W3	W4	W5
9	5	4.3 (M4)	$4.7 + \frac{\phi}{2}$	3.8	0.4	0.4	0.4	0.4
12	5	5.3 (M5)	$6.8 + \frac{\phi}{2}$	5.0	0.5	0.5	0.5	0.5
15	8	6.4 (M6)	$9.7 + \frac{\phi}{2}$	6.0	... $\phi14 = 0.6$ from $\phi15 = 0.8$	0.6	0.6	0.6
20	15	8.4 (M8)	$12.5 + \frac{\phi}{2}$	8.5	... $\phi25 = 0.8$ from $\phi26 = 1.0$	0.8	0.8	0.8
25	20	10.5 (M10)	$14.5 + \frac{\phi}{2}$	10.0	... $\phi49 = 1.0$ from $\phi50 = 1.25$	1.0	1.0	1.0

## NORMAFIX® RSGUO

Pipe clip type 0  
With rubber profile



NORMAFIX® RSGUO							
Band width	Minimum $\phi^{(1)}$	Rubber profile					
		$h1^{(2)}$ ≈	b1	s2	EPDM	Silicone	
9	4	$5.7 + \frac{\phi}{2}$	12.5	1.0	•	–	
12	4	$8.0 + \frac{\phi}{2}$	15.0	1.2	•	•	
15	5	$11.2 + \frac{\phi}{2}$	18.5	1.5	•	•	
20	10	$14.5 + \frac{\phi}{2}$	25.0	2.0	•	•	
25	15	$17.5 + \frac{\phi}{2}$	31.0	3.0	•	•	

## NORMAFIX® RS1

Pipe clip type 1  
Without rubber profile



NORMAFIX® RS1								
Band width	Minimum $\phi^{(1)}$	d	$h1^{(2)}$ ≈	l	s			
					W1	W3	W4	W5
9	5	4.3 (M4)	$4.7 + \frac{\phi}{2}$	3.8	0.4	0.4	0.4	0.4
12	5	5.3 (M5)	$6.8 + \frac{\phi}{2}$	5.0	0.5	0.5	0.5	0.5
15	8	6.4 (M6)	$9.7 + \frac{\phi}{2}$	6.0	... $\phi14 = 0.6$ from $\phi15 = 0.8$	0.6	0.6	0.6
20	15	8.4 (M8)	$12.5 + \frac{\phi}{2}$	8.5	... $\phi25 = 0.8$ from $\phi26 = 1.0$	0.8	0.8	0.8
25	20	10.5 (M10)	$14.5 + \frac{\phi}{2}$	10.0	... $\phi49 = 1.0$ from $\phi50 = 1.25$	1.0	1.0	1.0

## NORMAFIX® RSGU1

Pipe clip type 1  
With rubber profile



NORMAFIX® RSGU1							
Band width	Minimum $\phi^{(1)}$	Rubber profile					
		$h1^{(2)}$ ≈	b1	s2	EPDM	Silicone	
9	4	$5.7 + \frac{\phi}{2}$	12.5	1.0	•	–	
12	4	$8.0 + \frac{\phi}{2}$	15.0	1.2	•	•	
15	5	$11.2 + \frac{\phi}{2}$	18.5	1.5	•	•	
20	10	$14.5 + \frac{\phi}{2}$	25.0	2.0	•	•	
25	15	$17.5 + \frac{\phi}{2}$	31.0	3.0	•	•	

# NORMAFIX® RS/RSGU/RLGU

## NORMAFIX® RS2

Pipe clip type 2  
Without rubber profile



NORMAFIX® RS2								
Band width	Minimum $\phi^{1)}$	d	$h1^{2)}$ ≈	l	s			
					W1	W3	W4	W5
9	5	4.3 (M4)	$4.7 + \frac{\phi}{2}$	3.8	0.4	0.4	0.4	0.4
12	5	5.3 (M5)	$6.8 + \frac{\phi}{2}$	5.0	0.5	0.5	0.5	0.5
15	8	6.4 (M6)	$9.7 + \frac{\phi}{2}$	6.0	... $\phi 14 = 0.6$ from $\phi 15 = 0.8$	0.6	0.6	0.6
20	15	8.4 (M8)	$12.5 + \frac{\phi}{2}$	8.5	... $\phi 25 = 0.8$ from $\phi 26 = 1.0$	0.8	0.8	0.8
25	20	10.5 (M10)	$14.5 + \frac{\phi}{2}$	10.0	... $\phi 49 = 1.0$ from $\phi 50 = 1.25$	1.0	1.0	1.0

## NORMAFIX® RSGU2

Pipe clip type 2  
With rubber profile



NORMAFIX® RSGU2						
Band width	Minimum $\phi^{1)}$	Rubber profile				
		$h1^{2)}$ ≈	b1	s2	EPDM	Silicone
9	4	$5.7 + \frac{\phi}{2}$	12.5	1.0	•	–
12	4	$8.0 + \frac{\phi}{2}$	15.0	1.2	•	•
15	5	$11.2 + \frac{\phi}{2}$	18.5	1.5	•	•
20	10	$14.5 + \frac{\phi}{2}$	25.0	2.0	•	•
25	15	$17.5 + \frac{\phi}{2}$	31.0	3.0	•	•

## NORMAFIX® RLGU

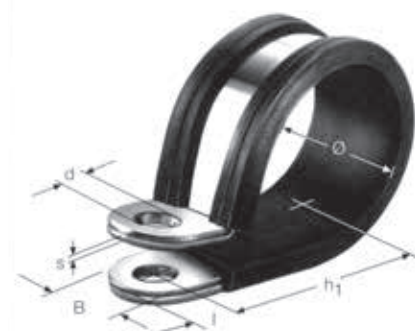
Pipe clip type 1  
With rubber profile



NORMAFIX® RLGU								
Band width	Minimum $\phi^{1)}$	d	$h1^{2)}$ ≈	l	Rubber profile			s
					b1	s2	EPDM	W1
12	4	6.4 (M6)	$11.2 + \frac{\phi}{2}$	6	15	1.2	•	0.4

- 1) The progressive ratio is 1mm.
- 2) Tool dimension

The scope of delivery does not include bolts or nuts.



This datasheet supersedes all previous issues. No part of this publication may be reproduced without our prior written consent. In NORMA Group's policy of continual product improvements to meet user needs and technological developments, all models and sets listed in this folder (photographs, specifications, sizes and weights) may be upgraded or discontinued without notice and without any obligation on our part to modify tools or equipment sold previously. The recommendations for use and safety given in this folder do not replace accepted good practice or the safety related legal and regulatory provisions. References to standards implemented at 01/02/2012 are not contractually binding.