

## NORMACONNECT® ARS

### Exhaust pipe clamps

ARS exhaust pipe clamps provide a secure, reliable connection for pipes that are fitted into one another even those that are subject to significant temperature fluctuations. As such, they are particularly suitable for connecting exhaust pipes and silencers in the automotive industry.

**1 M8, M10 & M12 bolts available as alternatives**

- depending on clamping force requirements

**2 Clamp band in one piece**

- contact surface meets pipe consistently
- even contact pressure over the entire pipe circumference
- excellent sealing properties

**3 Single-bolt closure**

- easy installation

**4 Rounded band edges**

- pipe protection
- prevents risk of injuries



#### Advantages at a glance

- One piece
- Contact surface meets pipe consistently
- Even contact pressure over entire pipe circumference
- No risk of asymmetrical pipe deformation

#### Applications

- Agricultural machines
- Building Machines
- Engine manufacturing

# NORMACONNECT® ARS

## Bolt

Bolt	Hammer head bolt/ Flange nut	Hexagon-head bolt/ Flange nut	Hexagon-head bolt/ Hexagon nut	Loose washer *
M8	X	X		X **
M10			X	X
M12			X	X

\* Under bolt head and under bolt nut.

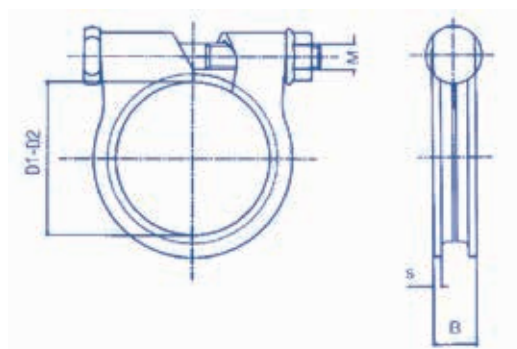
\*\* Under bolt head (select nominal diameters only).



M8 version with hammer head bolt.



M10 and M12 version with hexagon-head bolt.



## Materials

W1	W2	W3	W4	W5
X	X*		X*	X*

\* On request.

Material	Corrosion resistance in salt spray testing
W1	Min. 144 h

## Ordering information

When submitting requests and orders, please specify the data in the following way

	1. Type	2. Bolt	3. Clamping range	4. Material
Example	ARS	M8	47	W1

# NORMACONNECT® ARS

Sizes,  
band widths  
& materials

NORMACONNECT® ARS					
Designation	Clamping ranges D1–D2 in mm	S	B	Recommended tightening torque	W1
ARS M8-27 W1	24–27	1.5	10.4	8–10 Nm	X
ARS M8-33 W1	30–33	1.5	10.4		X
ARS M8-36 W1	33–36	2.0	12.8	10–15 Nm	X
ARS M8-39.5 W1	36.5–39.5	2.0	12.0		X
ARS M8-42 W1	39–42	2.0	12.8	15–20 Nm	X
ARS M8-45 W1	42–45	2.5	13.6		X
ARS M8-46 W1	43–46	2.5	12.8		X
ARS M8-47 W1	44–47	2.5	13.6		X
ARS M8-48 W1	45–49	2.5	13.2		X
ARS M8-49 W1	45–49	2.5	13.2		X
ARS M8-50.5 W1	48–51	2.5	13.2		X
ARS M8-51 W1	48–51	2.5	13.2		X
ARS M8-54 W1	51–54	2.5	13.2		X
ARS M8-55 W1	52–55	2.5	13.6		X
ARS M8-58 W1	55–58	2.5	13.2		X
ARS M8-64 W1	61–64	2.5	13.2		X
ARS M8-66 W1	63–66	2.5	13.2		X
ARS M8-71 W1	68–71	2.5	13.2		20–25 Nm
ARS M10-71 W1	67–71.5	3.0	15.0	X	
ARS M10-96 W1	91–96	3.0	17.0	35–40 Nm	X
ARS M12-114 W1	106–114	3.0	19.0		X
ARS M12-114 W1	106–114	3.0	19.0		X
ARS M12-145 W1	137,5-144,5	3.0	19.0		X

