



# ABA LOW PROFILE CABLE TIES



CLAMPING & CONNECTING PRODUCTS

# ABA LOW PROFILE CABLE TIES

ABA cable ties combine superior tensile strength and long-lasting quality with the market's lowest profile. Highly versatile, they are the first choice for virtually any medium or heavy-duty application requiring a good-looking, high-quality zip tie. They are also safer than standard ties. Their smooth, snag-proof contour has no barbs or spikes to injure an installer, technician or user. ABA cable ties are the first choice whenever a safe, visually appealing, low-profile tie is needed. Applications span industrial use to high-end consumer products. Natural or black colors are available.



---

## Features

- Lowest profile nylon tie available today
- Flexible head design easily flexes around tubing or bundled wiring
- No sharp cut-off edges to injure the user
- Tamper-proof pawl located under the tie's head

---

## Advantages at a glance

- Exceptional functionality, strength and safety.
- Snug-fitting, good-looking and safe, ABA cable ties bring a wealth of positive benefits to installers and users alike.
- Very easy to install. No special tools are required. Ties can also be tightened by hand.
- Made of 6/6 grade nylon, ABA cable ties are very resistant.
- Working temperature spans -40°C to +85°C, permitting use in a wide range of environments.

---

## Applications

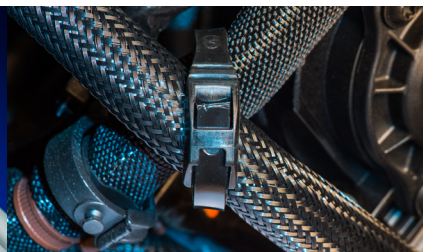
### Wire Harnessing



#### Application Examples

- Computer components
- Electrical equipments
- Industrial
- Cycling

### Automotive



#### Application Examples

- Cars
- Motor Bikes
- Trucks

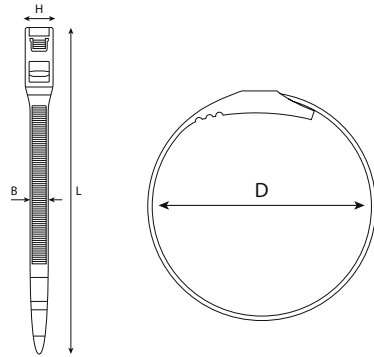
### Outdoor



#### Application Examples

- Access platforms
- Playgrounds
- Camping

## Dimensions



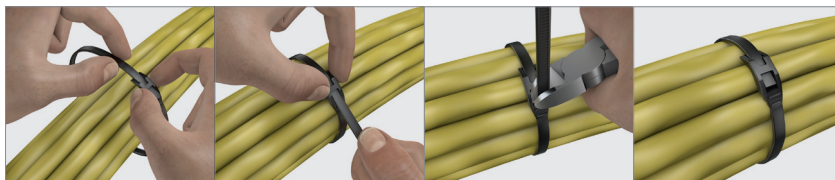
## Specifications

CABLE TIE LOW PROFILE (MEDIUM DUTY)						
Diameter (D) (mm)	Color	Length (L) (mm)	Bandwidth (B) (mm)	Head (H) (mm)	Weight (gram per piece)	Material 6/6 Nylon Product No
30-50	Natural	177 / 7"	4.52	8.37	1.3	0860 0510 177
30-50	UV Black	177 / 7"	4.52	8.37	1.3	0860 0520 177
30-80	Natural	280 / 11"	4.52	8.37	1.9	0860 0510 280
30-80	UV Black	280 / 11"	4.52	8.37	1.9	0860 0520 280
30-110	Natural	350 / 14"	4.52	8.37	2.3	0860 0510 350
30-110	UV Black	350 / 14"	4.52	8.37	2.3	0860 0520 350

CABLE TIE LOW PROFILE (HEAVY DUTY)						
Diameter (D) (mm)	Color	Length (L) (mm)	Bandwidth (B) (mm)	Head (H) (mm)	Weight (gram per piece)	Material 6/6 Nylon Product No
30-110	Natural	350 / 14"	7.62	12.19	6	0860 0610 350
30-110	UV Black	350 / 14"	7.62	12.19	6	0860 0620 350
30-140	Natural	450 / 18"	7.62	12.19	8	0860 0610 450
30-140	UV Black	450 / 18"	7.62	12.19	8	0860 0620 450
30-190	Natural	600 / 24"	7.62	12.19	11	0860 0610 600
30-190	UV Black	600 / 24"	7.62	12.19	11	0860 0620 600
30-240	Natural	760 / 30"	7.62	12.19	13.5	0860 0610 760
30-240	UV Black	760 / 30"	7.62	12.19	13.5	0860 0620 760

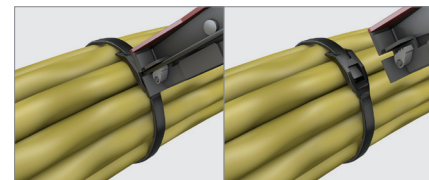
## Low-profile cable tie mounting instructions

### Using a hand tool



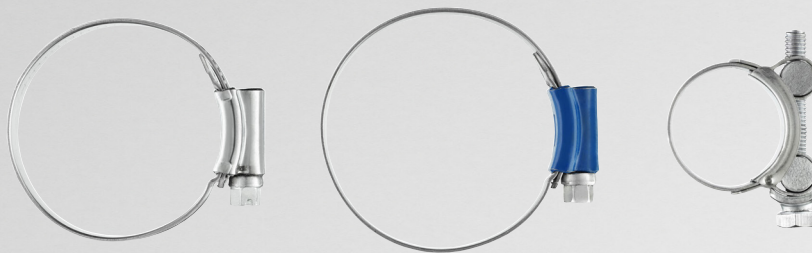
1. Insert the strap parallel to the plane of the head.
2. Pull through until hand tight.
3. Grasp the strap at the base and rotate the top blade forward until required tension is achieved.
4. Slide blade back to the base of the strap and actuate the cutter, trimming the stub flush with the head.

### Using a 'cinch and trim' gun



1. Insert the strap into the slot in the nose of the gun.
2. Keep actuating the trigger until proper tension is achieved and the strap is cut.

ABA® is a registered trademark of NORMA Group. This brochure supersedes all previous issues. No part of this publication may be reproduced without our prior written consent. In NORMA Group's policy of continual product improvements to meet user needs and technological developments, all models and sets listed in this folder (photographs, specifications, sizes and weights) may be upgraded or discontinued without notice and without any obligation on our part to modify tools or equipment sold previously. The recommendations for use and safety given in this folder do not replace accepted good practice or the safety-related legal and regulatory provisions. References to standards implemented at 04/01/2016 are not contractually binding.



ABA clamps are manufactured according to ISO 14001. They can be reused many times thanks to their high and constant quality, which is continuously monitored according to our ISO 9000:2000 and ISO TS 16949 certifications.

As part of Engineered Joining Technology leader NORMA Group, the ABA brand enjoys the benefits of access to a large group working with multiple brands and subsidiaries worldwide.